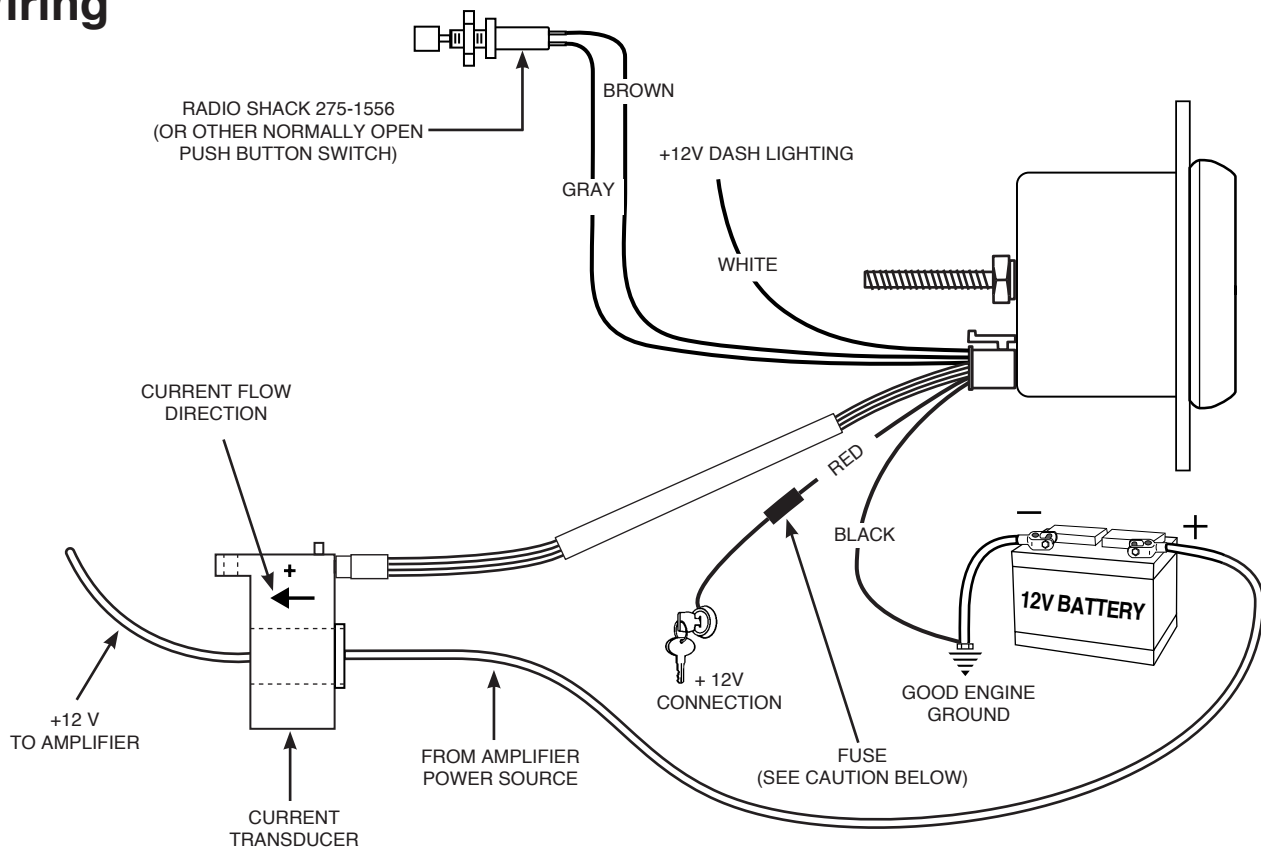


Wiring

**CAUTION!**

As a safety precaution, the +12V terminal of this product should be fused before connecting to the 12V ignition switch. We recommend using a 1 Amp, 3AG fast-acting type cartridge fuse (Littlefuse® # 312 001 or an equivalent).

Installation

1. Check that you have all parts required for installation, and that the engine is cool.
2. Disconnect the negative (-) battery cable.
3. Gauge mounts in a $2\frac{1}{16}$ " hole.
4. Securely mount the current transducer to a suitable location.
5. Connect the current transducer to the wire harness.
6. Pass the positive amplifier power lead through the current transducer ring. It is important that the arrow on the current transducer points toward the amplifier.
7. The brown and gray wires are used to set the mode of operation. Connect a Radio Shack 275-1556 or similar normally open push button switch to the brown and gray wires (see illustration above.)
8. Mount the switch in a convenient location.
9. Connect the white wire to dash lighting or switchable 12v light source.
10. Connect one of the black wires to a good ground. (Either black wire, does not matter which one)
11. Connect the red power wire to a switched +12v source.
12. Reconnect the negative (-) battery cable.

Error Messages

Out-of-Range

If the sender input goes outside the limits of the gauge "or" will be displayed signifying an out-of-range condition.

Operating Modes

Hold Mode

To select hold mode, press the momentary switch until "HLd" is displayed. Three seconds after the last button press, "HLd" will disappear, and normal operation will resume, signifying that hold mode has been selected.

When hold mode is selected, amplifier current is measured and displayed 10 times per second. In addition, hold mode provides an automatic peak hold feature. Each time a peak is reached, the peak value is automatically displayed for three seconds.

Fast Mode

To select fast mode, press the momentary switch until "FSt" is displayed. Three seconds after the last button press, "FSt" will disappear, and normal operation will resume, signifying that fast mode has been selected.

When fast mode is selected, amplifier current is measured and displayed 10 times per second.

Slow Mode

To select slow mode, press the momentary switch until "SLO" is displayed. Three seconds after the last button press, "SLO" will disappear, and normal operation will resume, signifying that slow mode has been selected.

When slow mode is selected, amplifier current is averaged and displayed once per second.

SERVICE

For service send your product to Auto Meter in a well packed shipping carton. Please include a note explaining what the problem is along with your phone number. Please specify when you need the product back. If you need it back immediately mark the outside of the box "RUSH REPAIR," and Auto Meter will service product within two days after receiving it. (\$10.00 charge will be added to the cost of "RUSH REPAIR.") If you are sending product back for Warranty adjustment, you must include a copy (or original) of your sales receipt from the place of purchase.

12 MONTH LIMITED WARRANTY

Auto Meter Products, Inc. warrants to the consumer that all Auto Meter High Performance products will be free from defects in material and workmanship for a period of twelve (12) months from date of the original purchase. Products that fail within this 12 month warranty period will be repaired or replaced at Auto Meter's option to the consumer, when it is determined by Auto Meter Products, Inc. that the product failed due to defects in material or workmanship. This warranty is limited to the repair or replacement of parts in the Auto Meter instruments. In no event shall this warranty exceed the original purchase price of the Auto Meter instruments nor shall Auto Meter Products, Inc. be responsible for special, incidental or consequential damages or costs incurred due to the failure of this product. Warranty claims to Auto Meter must be transportation prepaid and accompanied with dated proof of purchase. This warranty applies only to the original purchaser of product and is non-transferable. All implied warranties shall be limited in duration to the said 12 month warranty period. Breaking the instrument seal, improper use or installation, accident, water damage, abuse, unauthorized repairs or alterations voids this warranty. Auto Meter Products, Inc. disclaims any liability for consequential damages due to breach of any written or implied warranty on all products manufactured by Auto Meter.

FOR SERVICE SEND TO: AUTO METER PRODUCTS, INC. 413 W. Elm St., Sycamore, IL 60178 USA (815) 899-0801